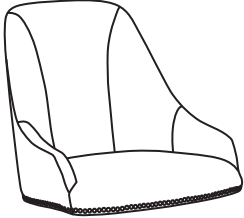
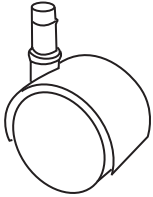
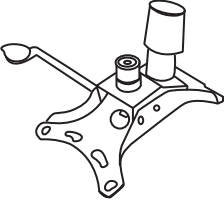
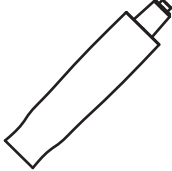




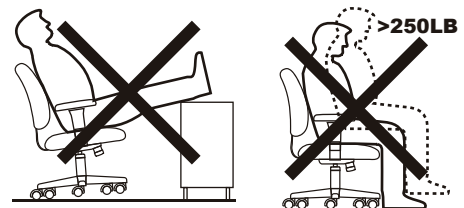
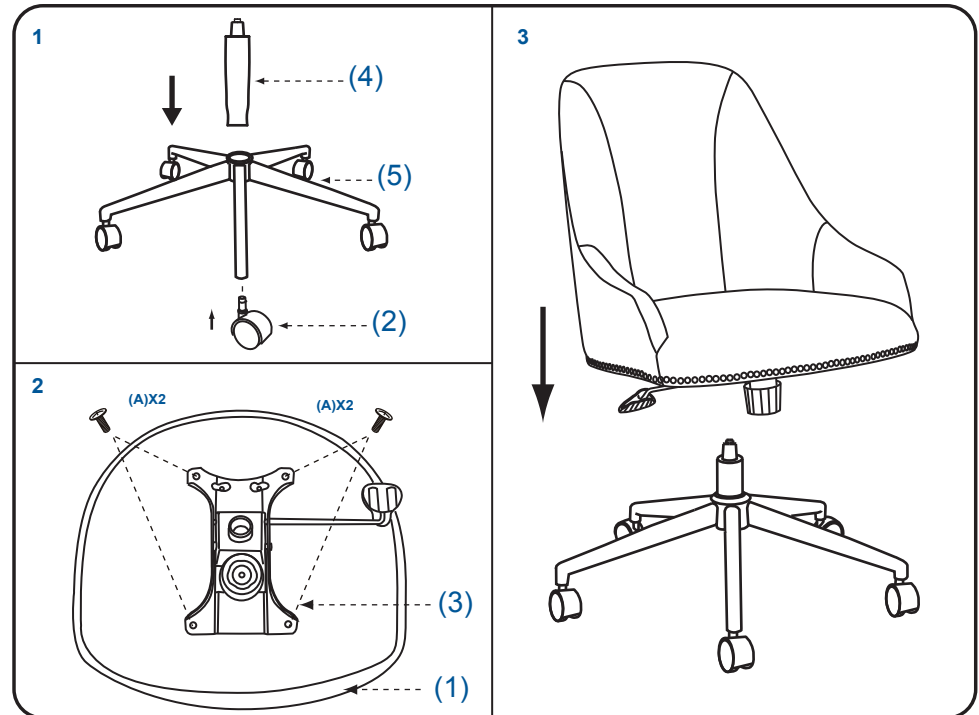
# OfficeSource® ASSEMBLY INSTRUCTIONS

**MODEL: 6905**

**CARNEGIE DESK CHAIR W/CHROME BASE**

**IMPORTANT NOTICE:  
HARDWARE PACKAGE IS ATTACHED ON  
THE BOTTOM OF SEAT CUSHION.**

(1)x1		(2)x5	
			
Cushion		Caster	
(3)x1	(4)x1	(5)x1	
			
Mechanism		Gas Lift	
(A)x4		M8*22 MECHANISM SCREW	
			



**Insert and loosely tighten all screws. When assembly is completed, fully tighten all screws before using. This chair is only intended for sitting. Any other use will void the warranty.**