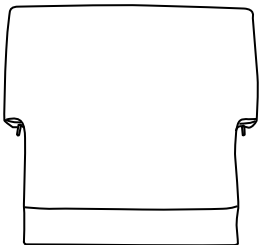
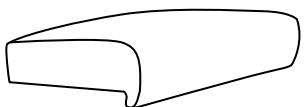
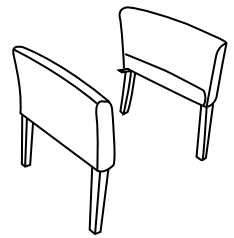
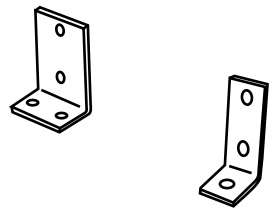
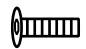



# OfficeSource® ASSEMBLY INSTRUCTIONS

## MODEL: 6909

### RETRO STYLE GUEST CHAIR W/BLACK WOOD LEGS

**IMPORTANT NOTICE:**  
**HARDWARE PACKAGE IS ATTACHED ON**  
**THE BOTTOM OF SEAT CUSHION.**

(1)X1  Back	(2)X1  Seat
(3)X1 (L)x1 (R)  Left & Right Frame	(4)X2 
<p>(B)x10            <b>M6*22</b></p> <p>(C)x1      </p>	

Insert and loosely tighten all screws. When assembly is completed, fully tighten all screws before using. This chair is only intended for sitting. Any other use will void the warranty.

